

RTS Series Package 25

With slotted angle bracket

Offset slide arm aluminum door and frame - hinges

Installation instructions

08279461 – 02-2020

| EN |

dormakaba 

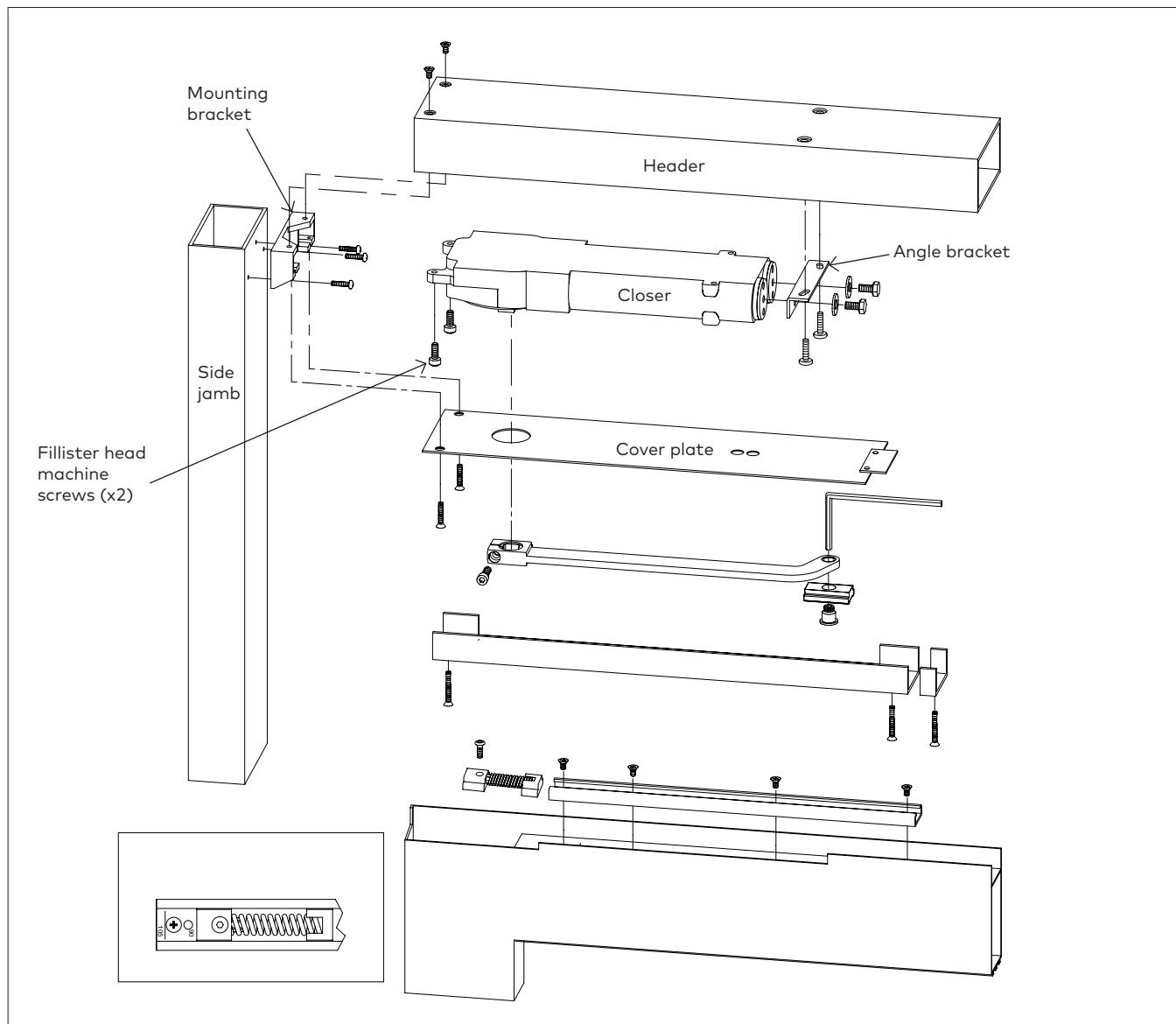
Table of contents

1	Installation instructions	3
1.1	Prepare frame and install closer	3
1.2	Prepare top of door	4
2	Adjustments	5
2.1	Adjust closing speeds	5
2.2	Optional 8511 applied stop (or stop by others)	5

1 Installation instructions

1.1 Prepare frame and install closer

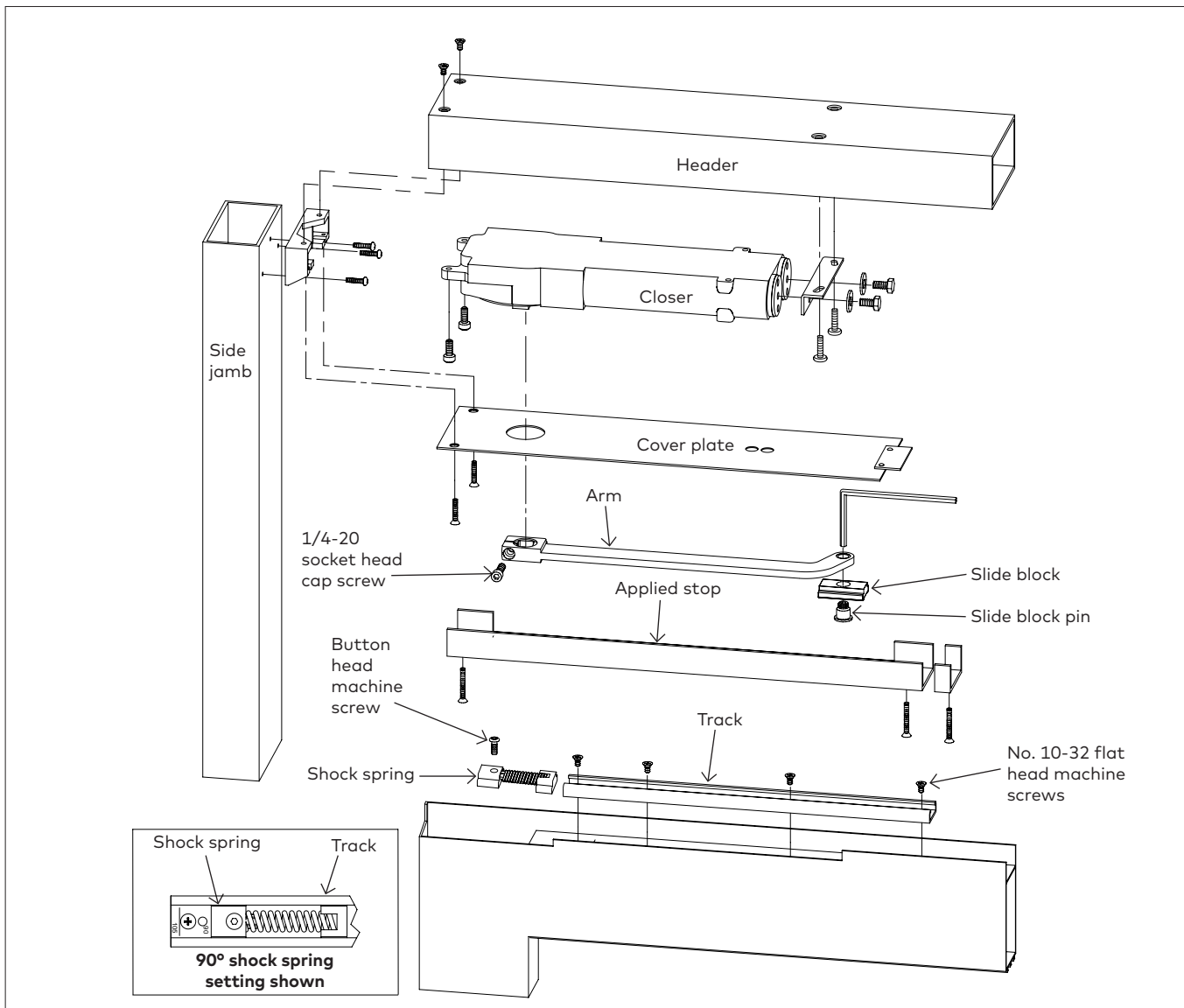
Fig.1



- 1.1.1 Prepare header and side jamb according to template.
- 1.1.2 Fasten mounting bracket to side jamb with three No. 8-32 pan head machine screws.
- 1.1.3 Fasten header to mounting bracket with two No.10-32 flat head machine screws.
- 1.1.4 Fasten angle bracket to closer with two hex head machine screws and flat washers.
- 1.1.5 Install 2 fillister head machine screws into mounting tabs on closer; make approximately 3 turns.
- 1.1.6 Install closer into header by inserting mounting tabs into mounting bracket.
- 1.1.7 Raise end of closer with angle bracket onto the two 1/4-20 screws.
- 1.1.8 Fasten angle bracket with the two 1/4-20 pan head machine screws.
- 1.1.9 Closer should remain centered in header.
- 1.1.10 Tighten the 2 fillister head machine screws securely.
- 1.1.11 Install cover plate by sliding tab into frame.
- 1.1.12 Fasten opposite end to mounting bracket with two No. 8-32 flat head machine screws provided.

1.2 Prepare top of door

Fig.2

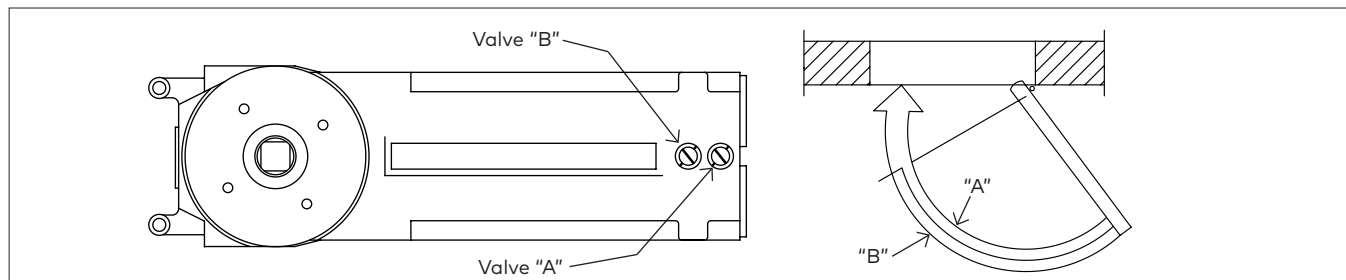


- | | |
|--|---|
| <p>1.2.1 Prepare top of door according to template.</p> <p>1.2.2 Assemble shock spring.</p> <p>1.2.3 Slide assembled shock spring into track so end with screw faces the 90° and 105° markings on the track.</p> <p>1.2.4 Align edge of shock spring assembly to coincide with 90° or 105° deadstop in closer.</p> <p>1.2.5 Secure shock spring assembly to track with button head machine screw, and 1/8" hex wrench.</p> | <p>1.2.6 Insert slide block pin through slide block before inserting slide block into track.</p> <p>1.2.7 Fasten track to door with four No. 10-32 flat head machine screws.</p> <p>1.2.8 Slide arm onto spindle as shown, and tighten the 1/4-20 socket head cap screw.</p> <p>1.2.9 Position door at approximately 45° of opening.</p> <p>1.2.10 Preload arm to a position where the hole in arm aligns with slide block pin.</p> <p>1.2.11 Thread slide block pin into arm with 3/16" hex wrench.</p> <p>1.2.12 TIGHTEN SECURELY!</p> |
|--|---|

2 Adjustments

2.1 Adjust closing speeds

Fig.3



2.1.1 Valve "A" - controls closing speed from maximum opening angle to 0°.

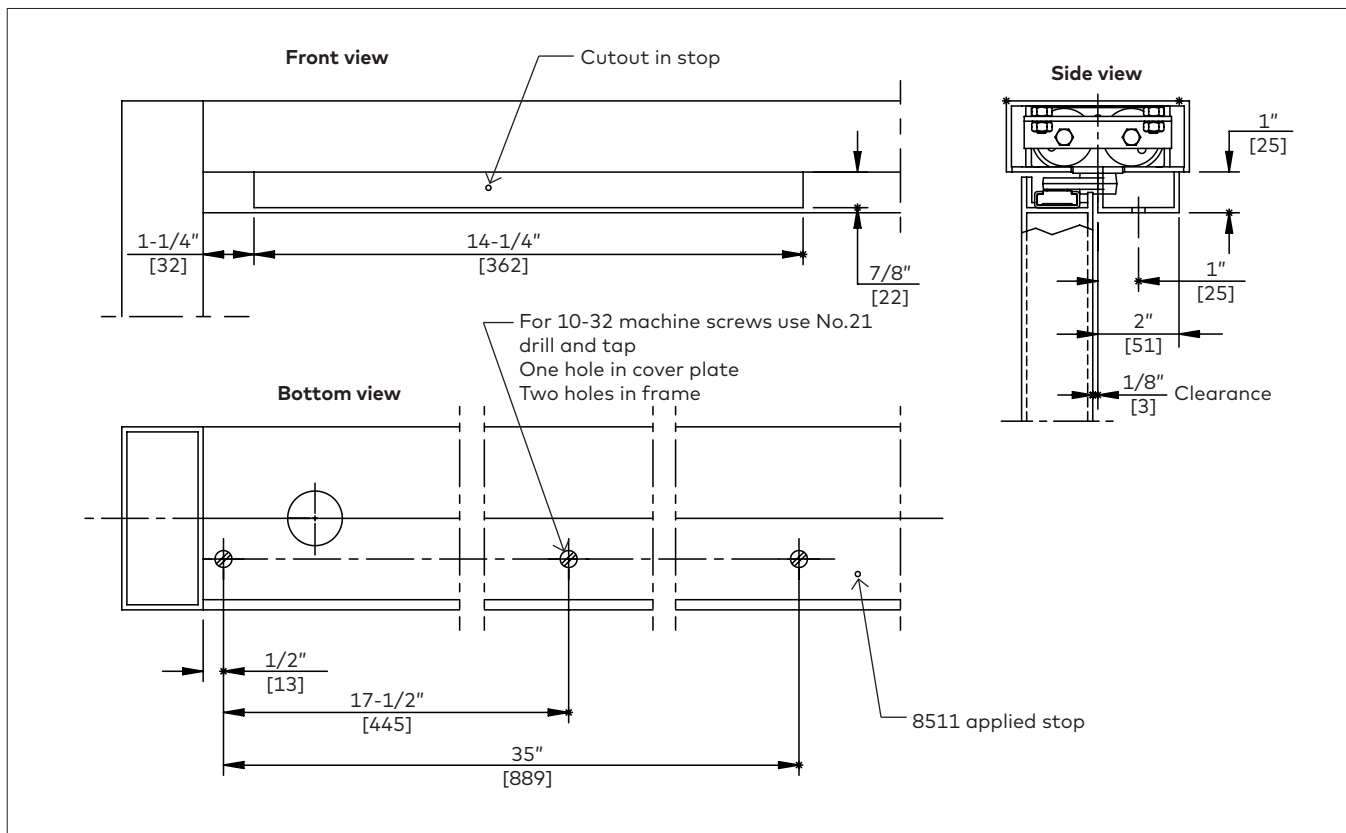
- Clockwise - decreases closing speed
- Counter-clockwise - increases closing speed

2.1.2 Valve "B" - increases closing speed from maximum opening angle to 20°.

Counter-clockwise - increases closing speed.

2.2 Optional 8511 applied stop (or stop by others)

Fig.4



2.1.1 Prepare header according to template above.

2.1.2 Install applied stop as shown in Fig 2. with three No.10-32 flat head machine screws.

